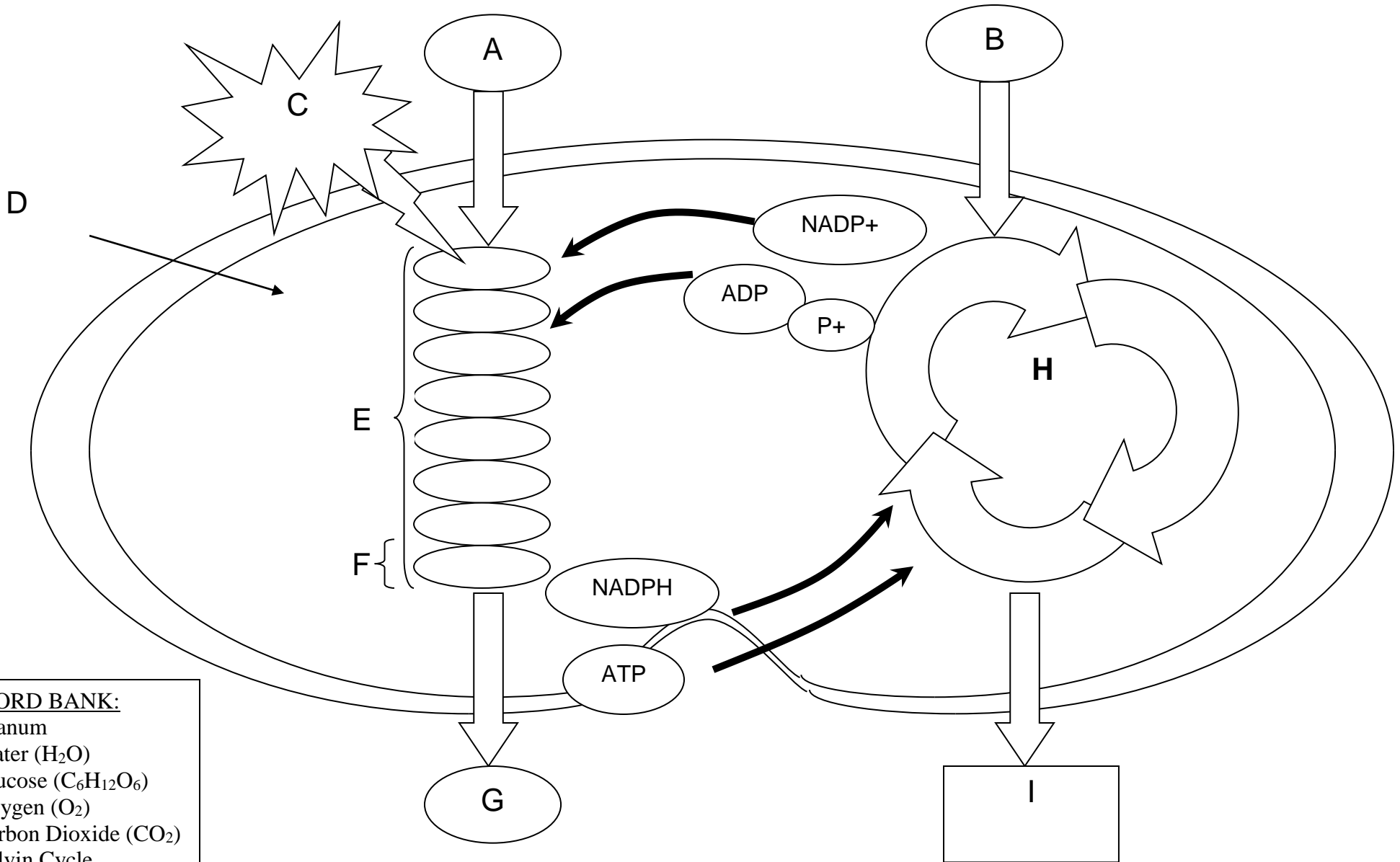


# Photosynthesis

Name: \_\_\_\_\_

Date: \_\_\_\_\_



**WORD BANK:**

- Granum
- Water (H<sub>2</sub>O)
- Glucose (C<sub>6</sub>H<sub>12</sub>O<sub>6</sub>)
- Oxygen (O<sub>2</sub>)
- Carbon Dioxide (CO<sub>2</sub>)
- Calvin Cycle
- Thylakoid
- Stroma
- Sunlight

**Photosynthesis Equation:**